

# SCREEN SYSTEM PLUS

## Glass Screen RANGE

For a light and contemporary feel in your restaurant, office or reception area.

Offering versatility in shape, size and location, this screen range makes available a sophisticated and clean look in the workspace, restaurant or reception area.

As with all Screen System Plus screens, breakfast bars and logos can be provided initially or added at a later date. Keep your options light and open with Screen System Plus glass screens.



*Breakfast bar.*



*Free standing or on castors.*



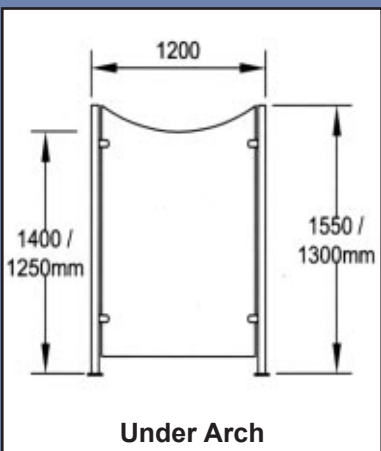
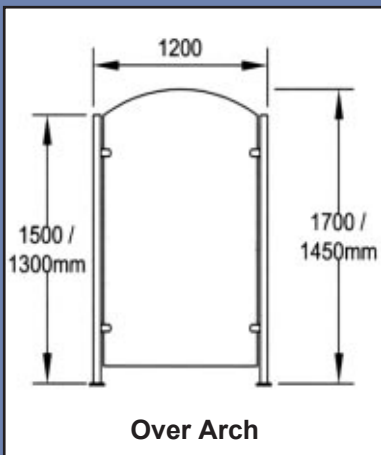
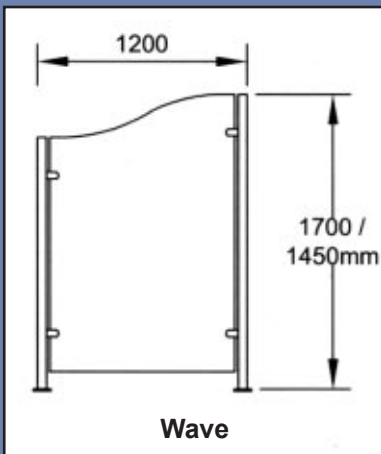
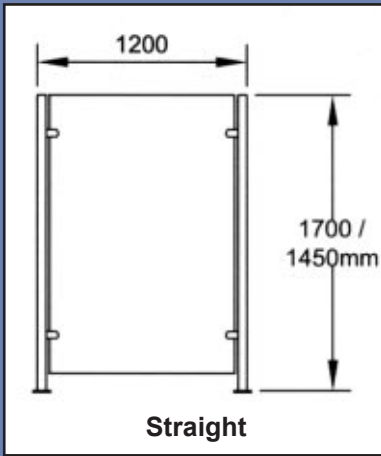
*Floor fixed.*

SCREEN  
PLUS



*Display screen.*

# SPECIFICATION



## POST:

Diameter..... 32mm and 50mm

## FINISHES:

Powder Coated  
Chrome  
Brushed Stainless Steel

## SCREEN:

Height..... 1700mm & 1450mm  
Width..... 1200mm

## GLASS PANELS:

Thickness..... 10mm  
Shape..... Straight, Wavy, & Oval as standard  
custom shapes available.  
Edges..... Polished.

## FROSTED IMAGES:

Frosted or coloured single images can be applied to create logos, names or products.

## LINKING FACILITY:

Linked together either in straight lines or at specific angles to create 2, 3 or 4 way configuration.

## POST FEET:

Free Standing..... 400mm long.  
Floor Fixed..... 150mm long.  
Shape..... Straight or Oval.  
Castors..... Castors available for ease of movement.

## CUSTOM DESIGN:

We can manufacture to meet your requirements (subject to material restrictions).

## ADAPTABILITY:

Breakfast bars & shelving can be incorporated within the design. Also can be adapted to include visual displays ie; leaflet dispensers & other promotional material or products.

## DELIVERY:

Delivered fully assembled or built on site, using our own vehicles to ensure the panels arrive in perfect condition & are ready for immediate use.



Please contact us for further information:

**Screen Plus Limited,**  
Unit 5, Millbrook Business Park,  
Sybron Way,  
Crowborough,  
East Sussex TN6 3JZ

Tel: 01892 668833 Fax: 01892 662833

Email: [sales@screenplus.co.uk](mailto:sales@screenplus.co.uk)

[www.screenplus.co.uk](http://www.screenplus.co.uk)